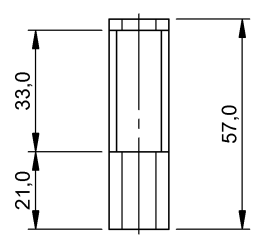
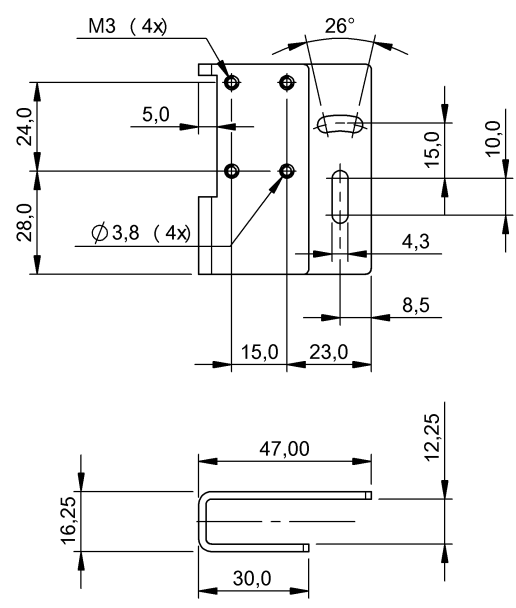


Fastening Technology  
**BAM MB-XO-014-B10-4-RLS**  
**Order Code: BAM0228**



**Basic features**

<b>Principle of operation</b>	Mounting bracket for photoelectric sensor
<b>Scope of delivery</b>	Mounting brackets Washer DIN 6797-J-M3 (4x) Screw ISO 1580-M3x20 (4x)
<b>Short description</b>	Mounting bracket
<b>Use</b>	for photoelectric sensors BOS 6K

**Version** Mounting brackets

**Material**

**Material** Stainless steel (1.4301)

**Mechanical data**

<b>Dimension</b>	60 x 16.2 x 47 mm
<b>Mounting part</b>	Threads

**Remarks**

Housing protection from U-shape